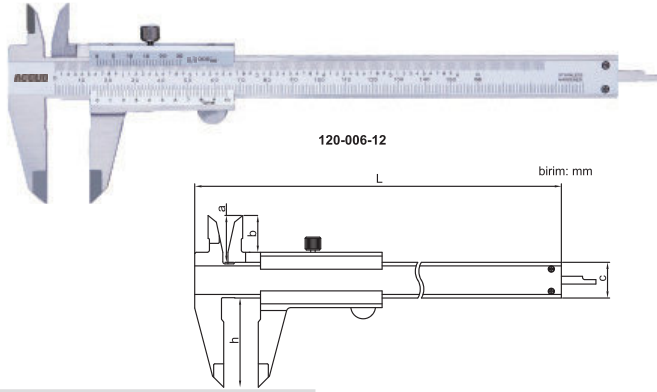




120 SERİSİ

MEKANİK KUMPAS



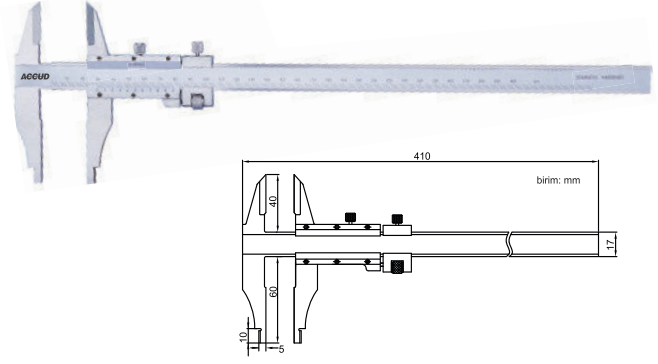
- ◆ DIN862
- ◆ Krom kaplama okuma yüzeyi
- ◆ Paslanmaz çelik

Kod	Aralık	Hassasiyet	Okuma	L	Fiyat
121-003-11	0-70mm	±0.05mm	±0.05mm	131	44 \$
121-004-11	0-100mm	±0.05mm	±0.05mm	160	40 \$
121-004-11B	0-100mm	±0.05mm	±0.05mm	160	32 \$

Kod	Aralık	Okuma	Hassasiyet	a	b	c	h	L	Fiyat
120-006-12	0-150mm/0-6"	0.02mm/0.001"	±0.03mm	20.5	15.5	16	40	235	40 \$
120-008-12	0-200mm/0-8"	0.02mm/0.001"	±0.03mm	23.5	19	16	50	290	66 \$
120-012-12	0-300mm/0-12"	0.02mm/0.001"	±0.03mm	27.5	22	20	64	414	123 \$
120-006-14	0-150mm/0-6"	0.05mm/1/128"	±0.05mm	20.5	15.5	16	40	235	34 \$
120-008-14	0-200mm/0-8"	0.05mm/1/128"	±0.05mm	23.5	19	16	50	290	62 \$
120-012-14	0-300mm/0-12"	0.05mm/1/128"	±0.05mm	27.5	22	20	64	414	113 \$

122 SERİSİ

MEKANİK KUMPAS

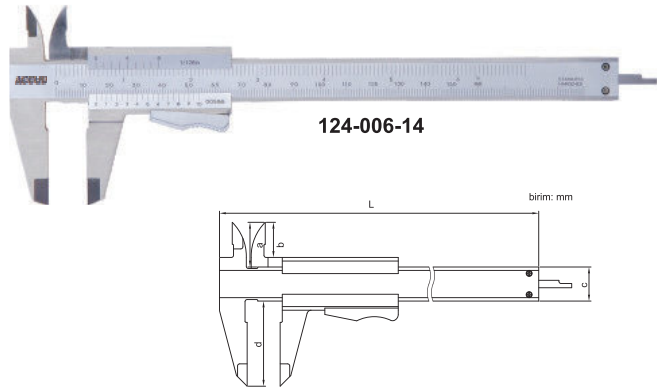


- ◆ Hassas ayarlamalı
- ◆ Paslanmaz çelik
- ◆ Krom okuma yüzeyi

Kod	Aralık	Okuma	Hassasiyet	Type	h	a	b	c	w	L	Fiyat
122-012-11	300mm	0.02mm	±0.03mm	A	60	10	40	17	10	410	170 \$
122-012-21	300mm	0.02mm/0.001"	±0.05mm	B	90	12	40	20	10	410	325 \$
122-020-21	500mm	0.02mm/0.001"	±0.05mm	B	100	18	56	24	20	670	535 \$
122-020-22	500mm	0.02mm/0.001"	±0.06mm	B	150	18	56	24	20	670	660 \$
122-032-21	800mm	0.02mm/0.001"	±0.07mm	B	150	24	67	31	20	1020	1185 \$
122-040-21	1000mm	0.02mm/0.001"	±0.08mm	B	150	24	67	31	20	1220	1500 \$
122-012-51	300mm	0.05mm/1/128"	±0.07mm	B	90	12	40	20	10	410	305 \$
122-020-51	500mm	0.05mm/1/128"	±0.07mm	B	100	18	56	24	20	670	515 \$
122-020-52	500mm	0.05mm/1/128"	±0.08mm	B	150	18	56	24	20	670	640 \$
122-032-51	800mm	0.05mm/1/128"	±0.09mm	B	150	24	67	31	20	1020	1155 \$
122-040-51	1000mm	0.05mm/1/128"	±0.12mm	B	150	24	67	31	20	1220	1425 \$

124 SERİSİ

MEKANİK KUMPAS

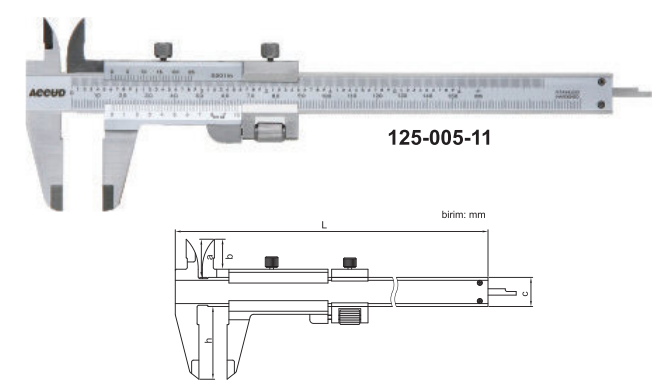


- ◆ Otomatik kilit
- ◆ DIN862
- ◆ Krom kaplama okuma yüzeyi
- ◆ Paslanmaz çelik

Kod	Aralık	Okuma	Hassasiyet	a	b	c	h	L	Fiyat
124-006-12	0-150mm/0-6"	0.02mm/0.001"	±0.03mm	20.5	15.5	16	40	235	47 \$
124-008-12	0-200mm/0-8"	0.02mm/0.001"	±0.03mm	23.5	19	16	50	290	73 \$
124-006-14	0-150mm/0-6"	0.05mm/1/128"	±0.05mm	20.5	15.5	16	40	235	47 \$
124-008-14	0-200mm/0-8"	0.05mm/1/128"	±0.05mm	23.5	19	16	50	290	68 \$

125 SERİSİ

MEKANİK KUMPAS



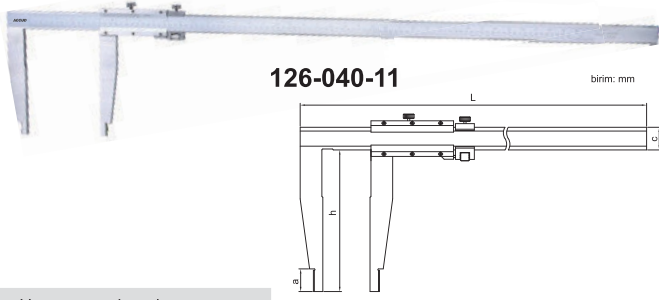
- ◆ Hassas ayarlamalı
- ◆ Okuma: 0.02mm/0.001"
- ◆ DIN862
- ◆ Krom kaplama okuma yüzeyi
- ◆ Paslanmaz çelik

Kod	Aralık	Hassasiyet	a	b	c	h	L	Fiyat
125-005-11	0-130mm/0-5"	±0.03mm	20.5	16.5	16	40	230	52 \$
125-007-11	0-180mm/0-7"	±0.03mm	23.5	19	16	50	295	75 \$
125-011-11	0-280mm/0-11"	±0.03mm	36	20	20	60	410	130 \$



126 SERİSİ

MEKANİK KUMPAS



126-040-11

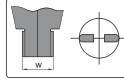
birim: mm

- ◆ Hassas ayarlamalı
- ◆ Paslanmaz çelik
- ◆ Krom okuma yüzeyi

126-□□□-X□

- 1: okuma: 0.02mm/0.001"
- 5: okuma: 0.05mm/1/128"

Örnek:



Çözünürlük 0.02 mm/0.001"

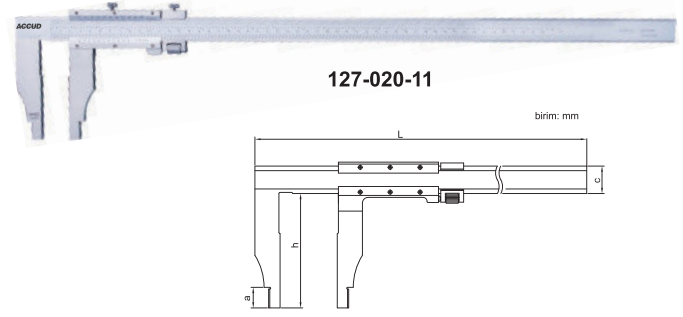
Kod	Aralık	Hassasiyet	a	c	h	w	L	Fiyat
126-012-11	0-300mm/0-12"	±0.05mm	18	17	90	10	410	180 \$
126-012-12	0-300mm/0-12"	±0.05mm	18	24	150	10	470	285 \$
126-020-11	0-500mm/0-20"	±0.06mm	18	24	150	20	670	335 \$
126-020-12	0-500mm/0-20"	±0.06mm	18	24	200	20	670	433 \$
126-024-11	0-600mm/0-24"	±0.06mm	18	24	150	20	770	362 \$
126-024-12	0-600mm/0-24"	±0.08mm	24	32	250	20	770	910 \$
126-040-11	0-1000mm/0-40"	±0.08mm	24	32	200	20	1220	1025 \$
126-040-12	0-1000mm/0-40"	±0.11mm	24	32	300	20	1220	1565 \$
126-120-12	0-3000mm/0-120"	±0.26mm	24	50	300	20	3360	8403 \$

Çözünürlük 0.05 mm/1/128"

Kod	Aralık	Hassasiyet	a	c	h	w	L	Fiyat
126-020-51	0-500mm/0-20"	±0.08mm	18	24	150	20	670	330 \$
126-040-51	0-1000mm/0-40"	±0.12mm	24	50	200	20	1330	1025 \$

127 SERİSİ

MEKANİK KUMPAS



127-020-11

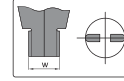
birim: mm

- ◆ Hassas ayarlamalı
- ◆ Paslanmaz çelik
- ◆ Krom okuma yüzeyi

127-□□□-X□

- 1: okuma: 0.02mm/0.001"
- 5: okuma: 0.05mm/1/128"

Örnek:



Çözünürlük 0.02 mm/0.001"

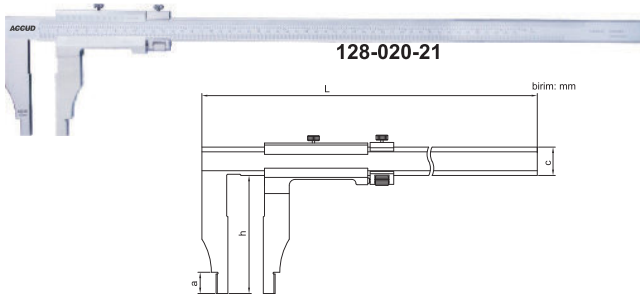
Kod	Aralık	Hassasiyet	a	c	h	w	L	Fiyat
127-012-11	0-300mm/0-12"	±0.05mm	10	20	75	10	410	191 \$
127-020-11	0-500mm/0-20"	±0.05mm	18	24	100	20	670	292 \$
127-024-11	0-600mm/0-24"	±0.05mm	18	24	100	20	770	320 \$
127-040-11	0-1000mm/0-40"	±0.08mm	24	32	140	20	1216	875 \$
127-060-11	0-1500mm/0-60"	±0.11mm	24	42	180	20	1830	1925 \$
127-080-11	0-2000mm/0-80"	±0.14mm	24	42	200	20	2320	2595 \$

Çözünürlük 0.05 mm/1/128"

Kod	Aralık	Hassasiyet	a	c	h	w	L	Fiyat
127-024-51	0-600mm/0-24"	±0.08mm	18	24	100	20	770	340 \$
127-040-51	0-1000mm/0-40"	±0.12mm	24	32	140	20	1216	860 \$

128 SERİSİ

MEKANİK KUMPAS



128-020-21

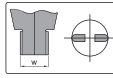
birim: mm

- ◆ Paslanmaz çelik
- ◆ Hassas ayarlamalı
- ◆ Krom kaplama okuma yüzeyi

128-□□□-X□

- 2: okuma: 0.02mm/0.001"
- 5: okuma: 0.05mm/1/128"

Örnek:

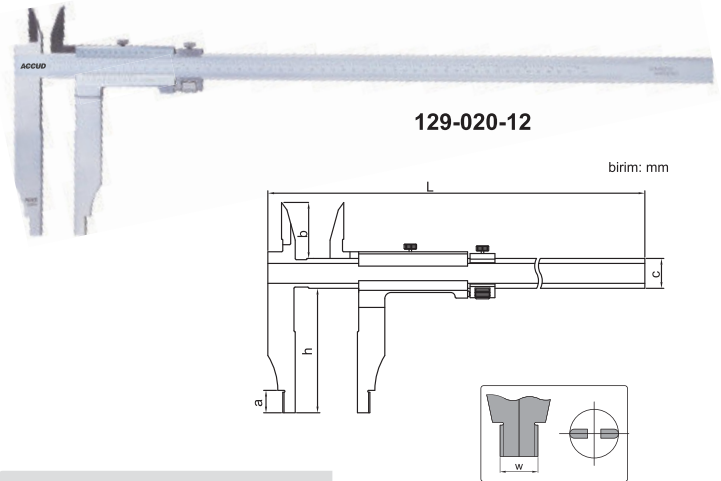


Çözünürlük 0.02 mm/0.001"

Kod	Aralık	Hassasiyet	a	c	h	w	L	Fiyat
128-008-21	0-200mm/0-8"	±0.04mm	18	20	100	10	330	204 \$
128-012-21	0-300mm/0-12"	±0.05mm	12	20	90	10	410	240 \$
128-020-21	0-500mm/0-20"	±0.05mm	18	24	100	20	670	360 \$
128-020-22	0-500mm/0-20"	±0.06mm	18	24	150	20	670	440 \$
128-024-21	0-600mm/0-24"	±0.06mm	18	24	100	20	770	465 \$
128-024-22	0-600mm/0-24"	±0.08mm	18	24	150	20	770	535 \$
128-032-21	0-800mm/0-32"	±0.08mm	24	31	150	20	1030	815 \$
128-040-21	0-1000mm/0-40"	±0.08mm	24	32	150	20	1230	1050 \$
128-060-21	0-1500mm/0-60"	±0.11mm	24	42	150	20	1820	2273 \$
128-080-21	0-2000mm/0-80"	±0.14mm	24	42	150	20	2230	3809 \$

129 SERİSİ

MEKANİK KUMPAS



129-020-12

birim: mm

- ◆ Okuma: 0.02mm/0.001"
- ◆ Paslanmaz çelik
- ◆ Hassas ayarlamalı
- ◆ Krom kaplama okuma yüzeyi

Kod	Aralık	Hassasiyet	a	b	c	h	w	L	Fiyat
129-020-11	0-500mm/0-20"	±0.05mm	18	45	24	100	20	670	535 \$
129-020-12	0-500mm/0-20"	±0.06mm	18	45	24	150	20	670	575 \$
129-024-11	0-600mm/0-24"	±0.06mm	18	45	24	100	20	770	670 \$
129-040-11	0-1000mm/0-40"	±0.08mm	24	60	31	150	20	1230	1250 \$