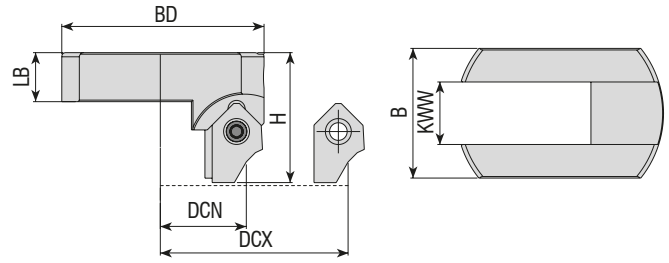


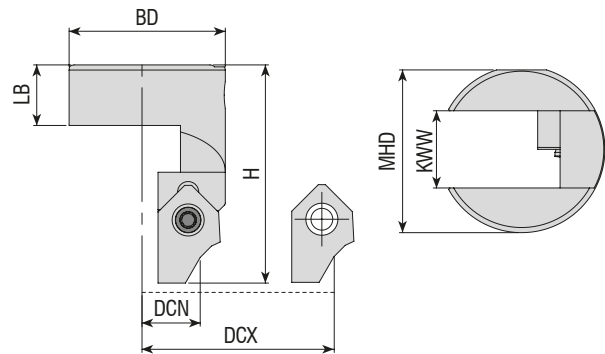
SUPAP

SUPAP YUVASI İŞLEME UÇLARI ve TAKIMLARI
VALVE SEAT INSERTS and TOOLHOLDERS
WENDESCHNEIDPLATTEN UND WERKZEUGE FÜR
VENTILSITZBEARBEITUNG





| Takım Kodu Ordering Code Bestell-Bezeichnung | Stok Stock Lager | Takım Ölçüleri (mm) Dimension (mm) Abmessung (mm) | | | | | | Kesici Uç Insert Wendeschneidplatte | Yedek Parçaları / Spare Parts / Ersatzteile | | | | |
|--|------------------------|---|----|-----|------|-----|------|---|---|--|---|---|--|
| | | DCN DCX | BD | LB | H | KWW | LF | | Sıkma Vidası Screw Schraube | Tork Anahtar Torx Key Torx-Schlüssel | Ayar Vidası Adjustable Einstellschraube | Anahtar Allen Key Innensechskantschlüssel | |
| VST-B11-2842 | ● | 28-42 | 29 | 9.5 | 28.5 | 12 | 25.0 | | | | | | |
| VST-B11-4058 | ● | 40-58 | 39 | 9.5 | 25.0 | 12 | 25.0 | B11... | 3008-M3x8 | 80-T08 | 2702-M4x10 | AAL-01-02 | |



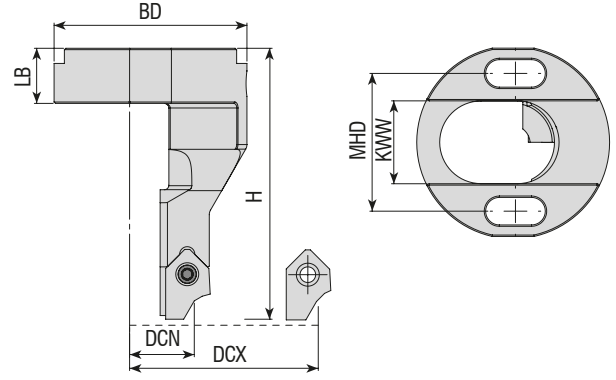
| Takım Kodu Ordering Code Bestell-Bezeichnung | Stok Stock Lager | Takım Ölçüleri (mm) Dimension (mm) Abmessung (mm) | | | | | | Kesici Uç Insert Wendeschneidplatte | Yedek Parçaları / Spare Parts / Ersatzteile | | | | |
|--|------------------------|---|----|-----|------|-----|------|---|---|--|---|---|--|
| | | DCN DCX | BD | LB | H | KWW | MHD | | Sıkma Vidası Screw Schraube | Tork Anahtar Torx Key Torx-Schlüssel | Ayar Vidası Adjustable Einstellschraube | Anahtar Allen Key Innensechskantschlüssel | |
| VST-B11-1830 | ● | 18-30 | 24 | 9.5 | 34.0 | 12 | 25.3 | | | | | | |

R: Sağ / Right / Rechts L: Sol/Left/Links

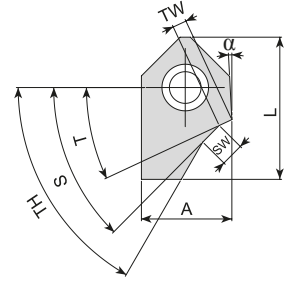
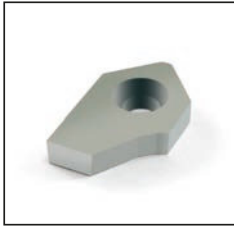
● Stokta / In Stock / Auf Lager ○ Stokta Yok / Non Stock Item / Kein Lagerartikel, Lieferzeit auf Anfrage

Sipariş Örneği/Ordering Example/Bestellbeispiel

1 ad./pcs./stück VST-B11-2842



| Takım Kodu Ordering Code Bestell-Bezeichnung | Stok Stock Lager | Takım Ölçüleri (mm) Dimension (mm) Abmessung (mm) | | | | | | Kesici Uç Insert Wendeschneidplatte | Yedek Parçaları / Spare Parts / Ersatzteile | | | | |
|--|------------------------|---|----|----|----|-----|-----|---|---|--|---|---|--|
| | | DCN DCX | BD | LB | H | KWW | MHD | | Sıkma Vidası Screw Schraube | Tork Anahtar Torx Key Torx-Schlüssel | Ayar Vidası Adjustable Einstellschraube | Anahtar Allen Key Innensechskantschlüssel | |
| VST-B11-2032 | ● | 20-32 | 42 | 12 | 59 | 18 | 30 | B11... | 3008-M3x8 | 80-T08 | 2702-M4x10 | AAL-01-02 | |



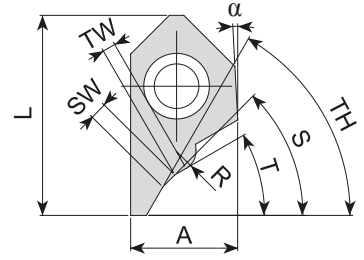
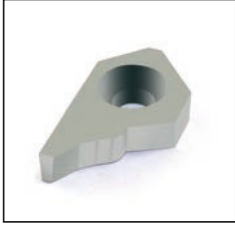
| Uç Kodu Insert Code Wendeplatten-Bezeichnung | Stok Stock Lager | Uç Ölçüleri (mm) Insert Dimension (mm) Abmessung (mm) | | | | | | | |
|--|------------------------|---|-----|----|-----|----|-----|-------|----|
| | | S | SW | T | TW | TH | A | L | α |
| B11003 | ● | 45 | 1.3 | 25 | 1.1 | 52 | 9.7 | 15.25 | 3° |
| B11004 | ● | 45 | 1.6 | 25 | 1.3 | 52 | 9.7 | 15.25 | 3° |
| B11005 | ● | 45 | 2 | 25 | 1.3 | 52 | 9.7 | 15.25 | 3° |
| B11006 | ● | 45 | 2.5 | 25 | 1.5 | 52 | 9.7 | 15.25 | 3° |
| B11007 | ● | 45 | 1.5 | 30 | 1.5 | 60 | 9.7 | 15.25 | 3° |
| B11008 | ● | 45 | 1.3 | 25 | 1.1 | 60 | 9.7 | 15.25 | 3° |
| B11009 | ● | 45 | 1.6 | 25 | 1.3 | 60 | 9.7 | 15.25 | 3° |
| B11010 | ● | 45 | 2 | 25 | 1.3 | 60 | 9.7 | 15.25 | 3° |
| B11011 | ● | 30 | 2 | 15 | 1.8 | 60 | 9.7 | 15.25 | 3° |
| B11012 | ● | 36 | 2 | 15 | 1.6 | 60 | 9.7 | 15.25 | 3° |
| B11014 | ● | 45 | 2.5 | 25 | 1.5 | 60 | 9.7 | 15.25 | 3° |
| B11016 | ● | 30 | 1.5 | 15 | 1.3 | 60 | 9.7 | 15.25 | 3° |
| B11017 | ● | 30 | 2.5 | 15 | 1.8 | 60 | 9.7 | 15.25 | 3° |
| B11018 | ● | 36 | 2.5 | 15 | 1.6 | 60 | 9.7 | 15.25 | 3° |
| B11019 | ● | 20 | 2.5 | 10 | 2 | 75 | 9.7 | 15.25 | 3° |
| B11020 | ● | 45 | 1.3 | 25 | 1.1 | 52 | 7.7 | 15.25 | 3° |
| B11021 | ● | 30 | 3 | 15 | 1.8 | 60 | 9.7 | 15.25 | 3° |
| B11022 | ● | 45 | 3 | 30 | 1.8 | 60 | 9.7 | 15.25 | 3° |
| B11029 | ● | 40 | 2.5 | 25 | 1.5 | 60 | 9.7 | 15.25 | 3° |
| B11030 | ● | 20 | 2 | 10 | 1.3 | 60 | 9.7 | 15.25 | 3° |

R: Sağ / Right / Rechts L: Sol/Left/Links

● Stokta / In Stock / Auf Lager ○ Stokta Yok / Non Stock Item / Kein Lagerartikel, Lieferzeit auf Anfrage

Sipariş Örneği/Ordering Example/Bestellbeispiel

1 ad./pcs./stück VST-B11-2032

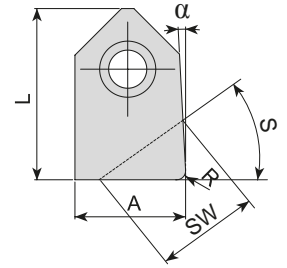
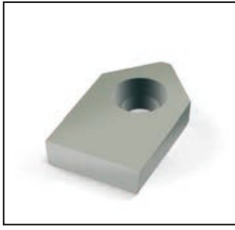


Uç Kodu
Insert Code
Wendeplatten-Bezeichnung

Stok
Stock
Lager

Uç Ölçüleri (mm)
Insert Dimension (mm)
Abmessung (mm)

| Uç Kodu Insert Code Wendeplatten-Bezeichnung | Stok Stock Lager | S | SW | T | TW | TH | A | L | α | R |
|--|------------------------|----|-----|----|----|----|------|-------|----------|------|
| B11013 | ● | 45 | 1.3 | 30 | 1 | 60 | 8.15 | 15.25 | 3° | 1.50 |



Uç Kodu
Insert Code
Wendeplatten-Bezeichnung

Stok
Stock
Lager

Uç Ölçüleri (mm)
Insert Dimension (mm)
Abmessung (mm)

| Uç Kodu Insert Code Wendeplatten-Bezeichnung | Stok Stock Lager | S | SW | A | L | α | R |
|--|------------------------|-----|------|------|-------|----------|------|
| B11015 | ● | 0° | 9.85 | 9.85 | 15.25 | 3° | 0.80 |
| B11023 | ● | 0° | 7.7 | 7.7 | 15.25 | 3° | 0.80 |
| B11024 | ● | 20° | 8.2 | 9.75 | 15.25 | 3° | - |
| B11025 | ● | 25° | 10 | 9.65 | 15.25 | 3° | - |
| B11026 | ● | 30° | 9 | 9.65 | 15.25 | 3° | - |
| B11027 | ● | 35° | 10 | 9.60 | 15.25 | 3° | - |
| B11028 | ● | 45° | 8.9 | 9.55 | 15.25 | 3° | - |

R: Sağ / Right / Rechts L: Sol/Left/Links

● Stokta / In Stock / Auf Lager ○ Stokta Yok / Non Stock Item / Kein Lagerartikel, Lieferzeit auf Anfrage

Sipariş Örneği/Ordering Example/Bestellbeispiel

1 ad./pcs./stück B11013